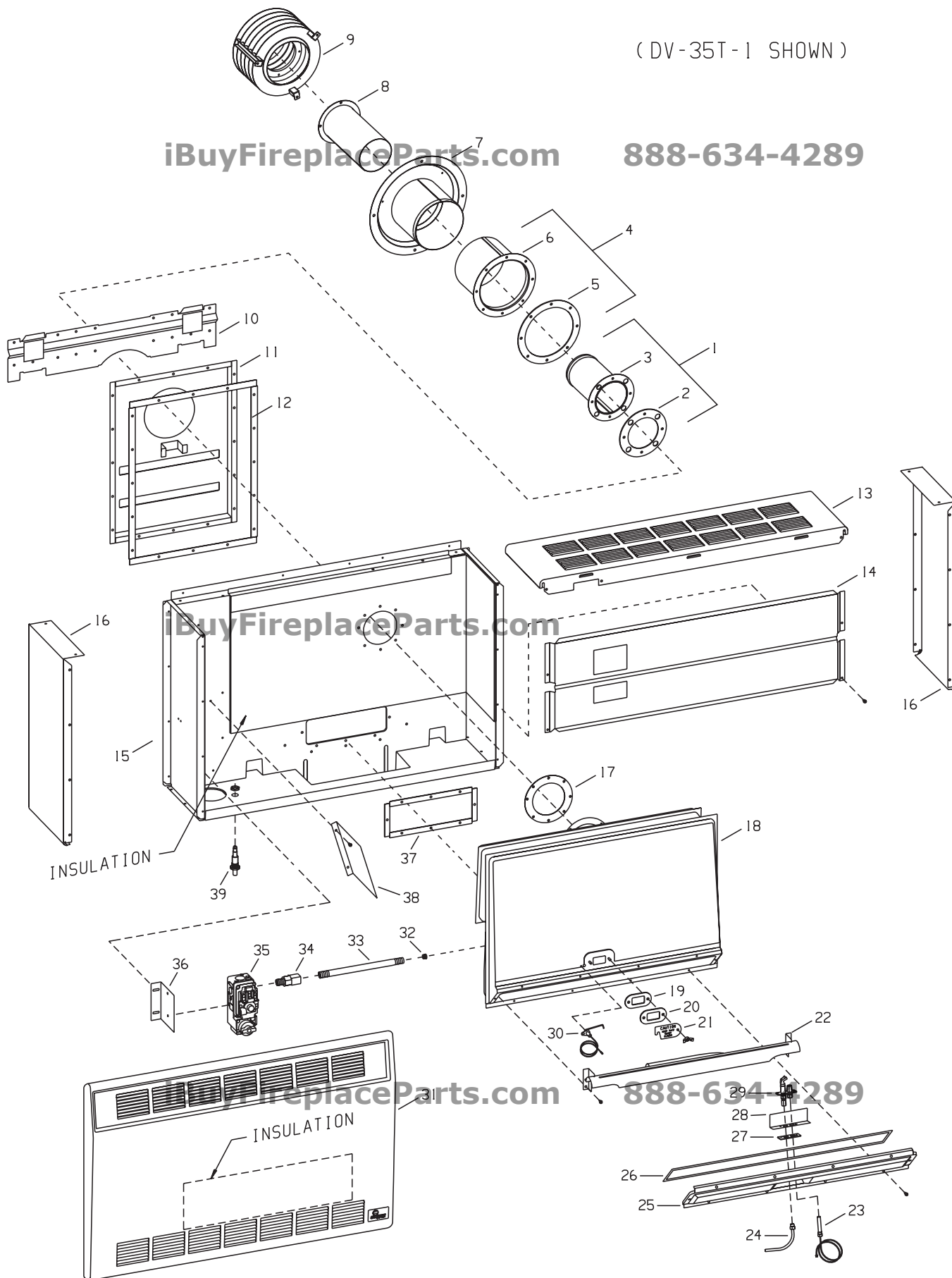


PARTS VIEW

(DV-35T-1 SHOWN)

iBuyFireplaceParts.com

888-634-4289



PARTS LIST

iBuyFireplaceParts.com 888-634-4289

PLEASE NOTE: When ordering parts, it is very important that part number and description of part coincide.

Index No.	Part Number	Description	Index No.	Part Number	Description
1	13057	Outlet Tube - Inner Assembly (Includes 2 & 3)	23	R-942	Thermopile
2	M-177	Gasket - Outer Collar	24	DV-1004	Pilot Tubing
3	13104	Outlet Tube - Inner Welded Assembly	25	RH-238	Burner Door
4	13062	Inlet Tube - Inner Assembly (Includes 5 & 6)	26	DV-778	Gasket - Burner Door
5	M-178	Gasket - Inlet Collar	27	M-151-B	Gasket - Pilot Burner
6	13106	Inlet Tube - inner Welded Assembly	28	DV-994	Pilot Shield
7	13064	Inlet Tube - Outer Assembly	29	R-2224	Pilot Burner with Orifice (Nat)
8	13059	Outlet Tube - Outer Assembly	29	R-2223	Pilot Burner with Orifice (LP)
9	13053	Vent Cap Welded Assembly	30	DV-772	Electrode and Wire Assembly
10	13051	Wall Mounting Bracket Assembly	31	DV-913	Casing Front (USA)
11	13089	Inlet Air Drop Chute Assembly	31	15700	Casing Front (Canada)
12	DV-762 & DV 763	Gasket - Air Drop Chute (2 Each Required)	32	P-86-43	Main Burner Orifice (DV-25T Nat)
13	DV-951	Casing Top	32	P-86-54	Main Burner Orifice (DV-25T LP)
14	DV-901	Heat Shield	32	P-86-38	Main Burner Orifice (DV-35T Nat)
15	13278	Inner Casing Assembly (USA)	32	P-86-50	Main Burner Orifice (DV-35T LP)
15	15701	Inner Casing Assembly (Canada)	33	P-190	Manifold
16	RH-705	Casing Side (2 Required)	34	R-191	Manifold Union Assembly
17	M-176	Gasket - Flue Outlet Support	35	R-5600	Gas Valve (Nat) 7000 MVRLC
18	13094	Combustion Chamber (DV-25T)	35	R-5601	Gas Valve (LP) 7000 MVRLC
18	13091	Combustion Chamber (DV-35T)	36	DV-1003	Valve Bracket
19	M-155	Gasket - Lighting Hole	37	DV-764 & DV-765	Gasket - Chamber Support (2 Each Required)
20	DV-781	Lighting Hole Cover Assembly with Clear Mica	38	DV-908	Valve Shield
21	DV-064	Cover Plate	39	R-854	Piezo Ignitor
22	DV-988	Burner (DV-25T)	Not Shown	R-1081	Pilot Orifice (Nat)
22	DV-990	Burner (DV-35T)	Not Shown	R-1089	Pilot Orifice (LP)
			Not Shown	R-5788	Wall Thermostat - Millivolt
			Not Shown	13271	Wall Thermostat Bracket
			Not Shown	DV-885	Hardware Package

USE ONLY MANUFACTURER'S REPLACEMENT PARTS. USE OF ANY OTHER PARTS COULD CAUSE INJURY OR DEATH.

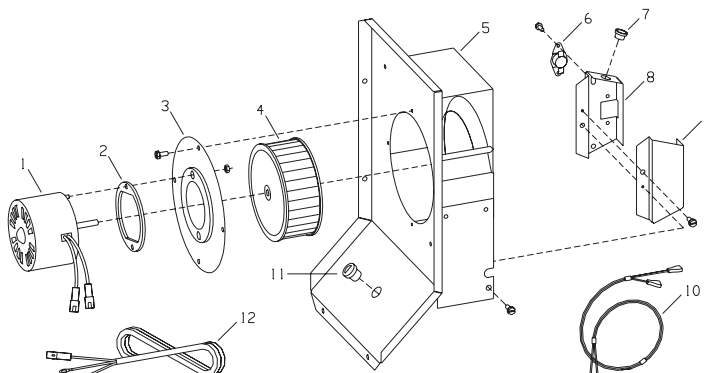
OPTIONAL BLOWER INSTALLATION INSTRUCTIONS (continued)

Cleaning

The blower wheel will collect lint and could require cleaning once a year. If the air output decreases or the noise level increases, it indicates a dirty wheel. Complete removal of the wheel and scrubbing it with a brush under flowing water is recommended.

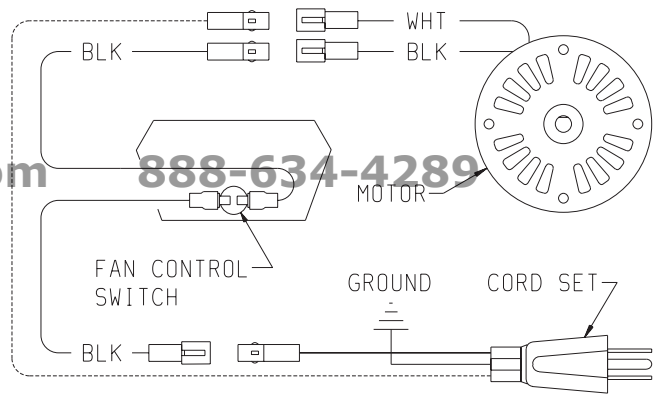
Oiling

The blower motor has an oil hole located on each end of the motor. Use #20 motor oil only. It is best to oil the motor several times during the heating season using 2 or 3 drops each time. If the motor fails to start and hums, it could be a tight bearing due to lack of oil. This may be corrected by pouring kerosene in the oil holes, allowing to stand for a few hours and then oiling properly.



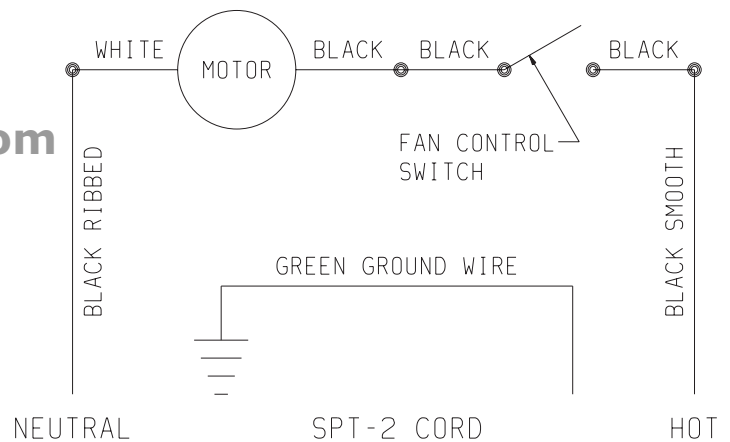
PARTS LIST

Index No.	Part No.	Description
1	R-2090	Motor
2	632016	Motor Cushion
3	RH-036	Motor Support
4	642030	Blower Wheel
5	RH-710	Blower Housing Assembly
6	9120106	Fan Control Switch
7	872087	Heyco Bushing
8	DV-806	Switch Box
9	DV-807	Switch Box Cover
10	R-2091	Wire Assembly 19" (483mm)
11	8720161	Heyco Bushing
12	R-2099	Cord Set 72" (1.83m)



————— BLACK HOT-SMOOTH INSULATION
 - - - - - BLACK NEUTRAL-RIBBED INSULATION

IF ANY OF THE ORIGINAL WIRE AS SUPPLIED WITH THIS UNIT MUST BE REPLACED, IT MUST BE REPLACED WITH 125°C 2/64 INSULATION WIRE OR ITS EQUIVALENT.



iBuyFireplaceParts.com

888-634-4289